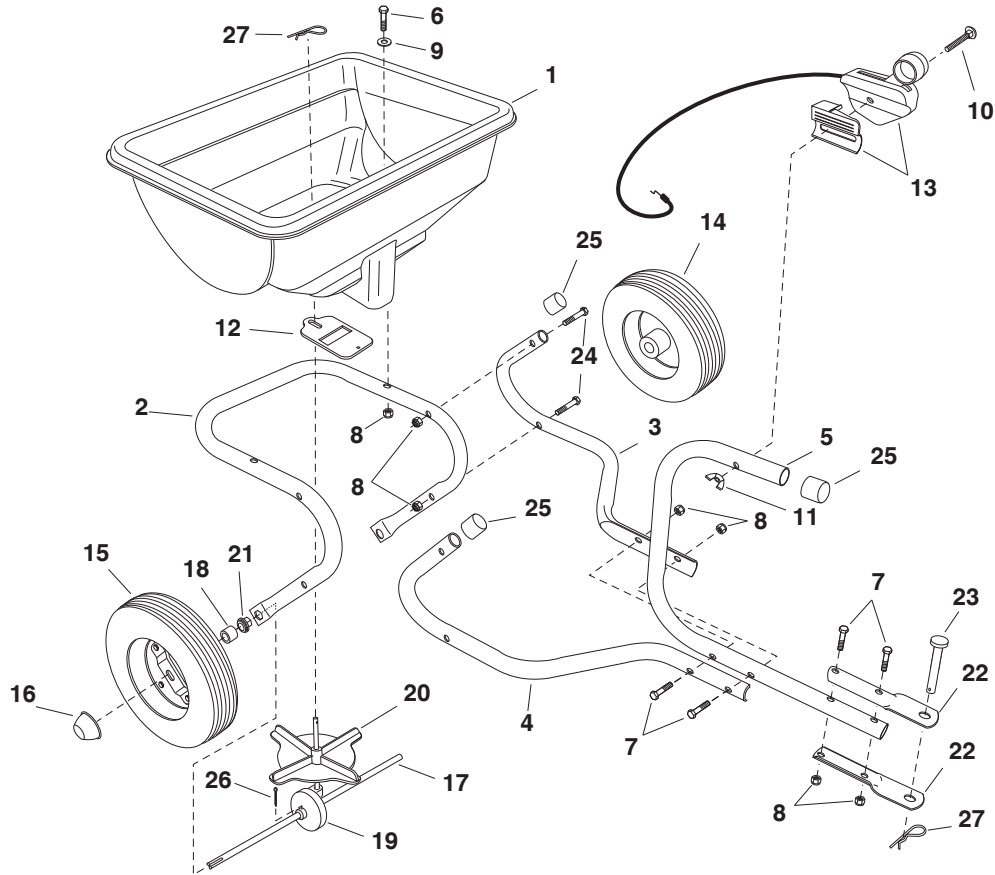


REPAIR PARTS FOR MODEL 954 12 00-46, 13-0955-11



SpeedEPart *the fastest way to purchase parts* www.speedepart.com

REF	PART NO	QTY	DESCRIPTION	REF	PART NO	QTY	DESCRIPTION
1	531 00 76-74	1	Hopper	14	581 83 72-01	1	Wheel
2	581 83 67-01	1	Frame Tube	15	581 83 73-01	1	Drive Wheel
3	581 83 68-01	1	Hitch Tube (LH)	16	581 83 74-01	2	Hub Cap (Push Nut)
4	581 83 69-01	1	Hitch Tube (RH)	17	531 00 76-91	1	Axle
5	581 83 70-01	1	Hitch Control Tube	18	531 00 76-90	2	Spacer
6	577 15 85-01	2	Hex Bolt, 1/4-20 x 1-1/2"	19	531 00 76-91	1	Gearbox
7	577 15 84-01	4	Hex Bolt, 1/4-20 x 1-3/4"	20	531 00 76-91	1	Impeller
8	504 06 60-01	10	Nylock Nut, 1/4-20	21	531 00 76-58	2	Hex Flange Bearing
9	522 83 59-01	2	Washer, 1/4 Std	22	531 00 81-41	2	Hitch Bracket
10	581 83 71-01	1	Carriage Bolt 1/4-20 x 2"	23	531 00 81-18	1	Hitch Pin
11	580 74 52-01	1	Nylon Wing Nut 1/4-20	24	577 16 15-01	4	Hex Bolt, 1/4-20 x 2"
12	531 00 76-59	1	Flow Slide	25	531 00 28-42	3	Vinyl Cap
13	579 48 62-01	1	Control Cable Asembly (includes items 10 & 11)	26	581 83 75-01	1	Cotter Pin, 9/64 x 1-1/2"
				27	580 74 44-01	2	Hairpin, Cotter

REPAIR PARTS

Agri-Fab, Inc.
809 South Hamilton
Sullivan, IL. 61951
217-728-8388
www.agri-fab.com

This document (or manual) is protected under the U.S. Copyright Laws and the copyright laws of foreign countries, pursuant to the Universal Copyright Convention and the Berne convention. No part of this document may be reproduced or transmitted in any form or by any means, electronic or mechanical, including photocopying or recording, or by any information storage or retrieval system, without the express written permission of Agri-Fab, Inc. Unauthorized uses and/or reproductions of this manual will subject such unauthorized user to civil and criminal penalties as provided by the United States Copyright Laws.